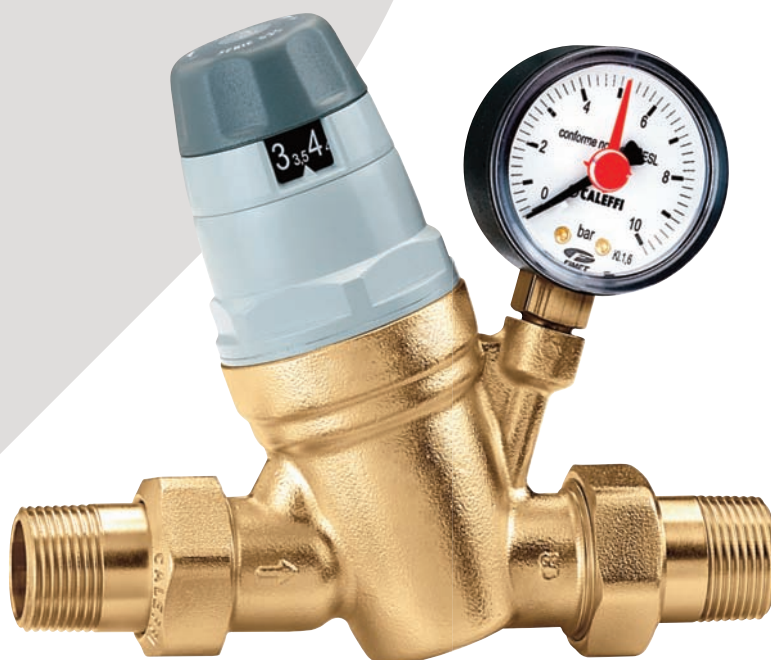


535 Prescal

dial up pressure
reducing valve



WRAS
APPROVED
PRODUCT

altecnic

535 prescal dial up pressure reducing valve

Application

Pressure reducing valves are installed in residential water systems to reduce and stabilise inlet pressures from mains water supplies or boosted water systems, which generally are too high and variable for domestic appliances to function correctly.

The 535 series is specially designed for hot and cold services in semi-commercial or public buildings to equalise either the hot or cold supplies or both and prevent excessive pressure at water outlets such as taps, basins, toilets, dishwashers and other appliances.

Design

The series 535 pressure reducing valves are pre-adjustable enabling them to be set at the required discharge pressure prior to installation, by means of the adjustment knob with pressure setting indicator.

The internal cartridge and control knob mechanism is assembled as one unit to make removal for inspection, cleaning and maintenance operations easier.

The compensated seat design means that the set downstream pressure remains independent of upstream pressure variations.

The hydraulic profile of the valve makes it possible to achieve low pressure losses, even when a large number of outlets are open.

The control stem housing of the cartridge is made from a plastic material with a low co-efficient of adhesion, which reduces the probability of scale deposits forming, the main cause of pressure reducing valve malfunction.

Construction Details

| Component | Material | Grade |
|---------------------|------------------|--------------------|
| Body | DZR Copper Alloy | BS EN 12165 CW602N |
| Cover | Nylon | PA 66GF30 |
| Control stem | Stainless steel | AISI 304 |
| Cartridge | POM | |
| Internal components | DZR Copper Alloy | BS EN 12164 CW602N |
| Diaphragm | Nitrile rubber | |
| Seals | Nitrile rubber | |
| Strainer screen | Stainless steel | AISI 304 |

| Product Code | Size | Connection | Type |
|------------------|------|--------------|---------------------------|
| 535 Range | | | |
| 535022 | 22mm | compression | Cu x Cu with gauge port |
| 535041 | ½" | screwed iron | M x M with pressure gauge |
| 535051 | ¾" | screwed iron | M x M with pressure gauge |
| 535061 | 1" | screwed iron | M x M with pressure gauge |
| 535071 | 1¼" | screwed iron | M x M with pressure gauge |
| 535081 | 1½" | screwed iron | M x M with pressure gauge |
| 535091 | 2" | screwed iron | M x M with pressure gauge |
| 535040 | ½" | screwed iron | M x M with gauge port |
| 535050 | ¾" | screwed iron | M x M with gauge port |
| 535060 | 1" | screwed iron | M x M with gauge port |
| 535070 | 1¼" | screwed iron | M x M with gauge port |
| 535081 | 1½" | screwed iron | M x M with gauge port |
| 535091 | 2" | screwed iron | M x M with gauge port |

E & O.E

Altecnic Ltd Mustang Drive, Stafford, Staffordshire ST16 1GW

T: +44 (0)1785 218200 E: sales@altecnic.co.uk

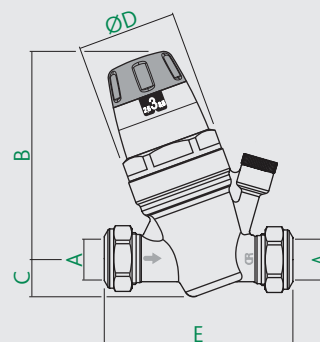
Registered in England No: 2095101

altecnic.co.uk

AL 020 26-03-11

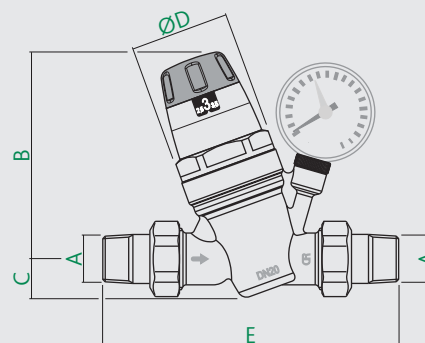
Dimensions

Compression Ends



| Prod Code | A | B | C | D | E | kg |
|-----------|-----|-----|------|----|-----|------|
| 535022 | Ø22 | 112 | 20.5 | 54 | 101 | 0.41 |

Threaded Ends



| Prod Code | A | B | C | D | E | kg |
|--------------|-----|-----|------|----|-----|------|
| 5350 40 & 41 | R½ | 112 | 20.5 | 54 | 140 | 0.92 |
| 5350 50 & 51 | R¾ | 112 | 20.5 | 54 | 160 | 1.06 |
| 5350 60 & 61 | R1 | 112 | 20.5 | 54 | 180 | 1.38 |
| 5350 70 & 71 | R1¼ | 178 | 40 | 73 | 200 | 2.6 |
| 5350 80 & 81 | R1½ | 178 | 40 | 73 | 220 | 3.4 |
| 5350 90 & 91 | R2 | 178 | 40 | 73 | 250 | 4.3 |

Technical Data

| | |
|--------------------------------|---------------|
| Max inlet pressure: | 25 bar |
| Outlet pressure setting range: | 1 to 6 bar |
| Factory setting: | 3 bar |
| Max working temperature: | 60°C |
| Pressure gauge range: | 0 to 10 bar |
| Pressure gauge connection: | G1/4 |
| Filter mesh size: | 0.51 mm |
| Medium: | potable water |
| Complies with: | BS EN 1567 |
| Screwed ends: | BS EN 10226 |
| Compression Ends: | BS EN 1254-2 |