

# Product Data Sheet

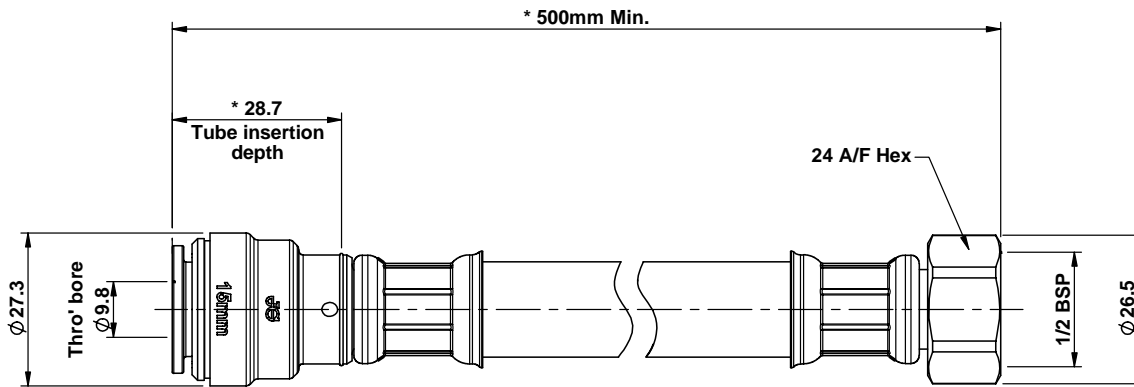
15mm x 1/2 BSP Flexi Hose  
(500mm Long)



**John Guest**

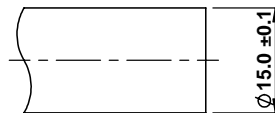


Applications	
Hot and Cold Water	✓
Central Heating	×



\* With Collet in Release Position

**THIS PRODUCT IS MADE FROM NON-DZR BRASS**



Tube Detail

Part Description	Material
15mm x 1/2" ID Hose Connector Assembly	See DS-NC448-01-X, White
1/2 BSP Hose Barb	Nickel Plated Brass CZ121
1/2 BSP Captive Brass Nut	Nickel Plated Brass CZ121
1/2 BSP Sealing Washer	Ethylene Propylene, Black
Ferrule, 19.6mm	Stainless Steel
19mm ID Reinforced Flexible Hose	Multi-Layered PVC / Polyester Fibre Reinforced & Hytrel

All Dimensions in mm

THE COPYRIGHT IN THIS DRAWING AND THE PRODUCTS REFERRED THEREON BELONG TO JOHN GUEST INTERNATIONAL LIMITED AND THIS DRAWING NOR THE INFORMATION CONTAINED HEREIN SHALL BE PRODUCED IN ANY FORM OR USED FOR ANY PURPOSE WITHOUT WRITTEN CONSENT © 2006

The company has a policy of continuous research and development and reserves the right to amend without notice the specification and design of all products illustrated. For details of terms and conditions and any other technical enquiries, please contact our Customer Services Department.

Issue 3 03-08-06

**DS-WFLX18**

**REVISION COMMENTS**

SEE DS-NC448-01-X WAS SEE DS-NC448

ISSUE	DATE DRAWN	DATE ISS.	DRN. BY	ISS. BY	ECN	CHECKED	APPROVED
1	07-03-06	07-03-06	SI	SI	-----	DAP	DAP
2	25-05-06	25-05-06	CDF	CDF	-----	SL	SL
3	03-08-06	03-08-06	TB	TB	-----	SL	SL

DATA SHEET No.

**DS-WFLX18**

TITLE

**15mm x 1/2 BSP FLEXI HOSE (500mm LONG)**

Issue3

**DS-WFLX18**